


 Viant Medical, LLC  
 4545 Kroemer Road  
 Fort Wayne, IN 46818  
 U.S.A.  
 Tel +1 260-755-7300  
 product.monitoring@viantmedical.com

**EC REP** MDSS GmbH  
 Schiffgraben 41  
 30175 Hannover  
 Germany

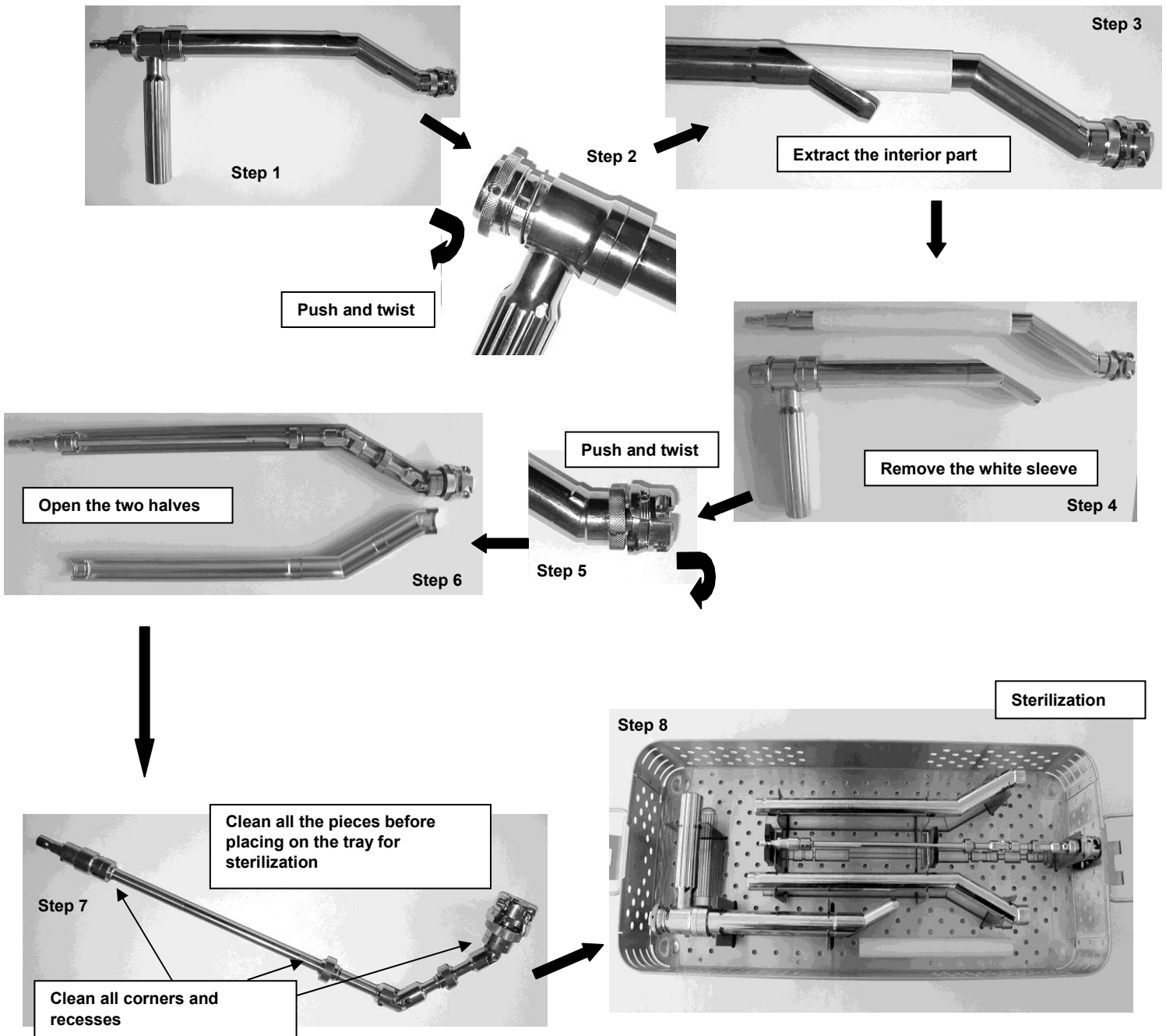
 MAN-004006  
 **NON STERILE**  
 **CE**  
 0459

**IMPORTANT NOTICE**  
 When reaming bone it is essential that a firm grip on the handle is maintained to minimize any risk that the reamer cuts eccentrically.

## DISASSEMBLY



### OFFSET REAMER HANDLE: INSTRUCTIONS FOR ASSEMBLY AND DISASSEMBLY TO ALLOW CLEANING AND STERILIZATION

The handle has been designed to be easily taken apart to allow proper and complete cleaning. The handle should be sterilized while disassembled.



 Viant Medical, LLC  
 4545 Kroemer Road  
 Fort Wayne, IN 46818  
 U.S.A.  
 Tel +1 260-755-7300  
 product.monitoring@viantmedical.com

**EC REP** MDSS GmbH  
 Schiffgraben 41  
 30175 Hannover  
 Germany

 MAN-004006  
 **NON STERILE**  
 **CE**  
 0459

**IMPORTANT NOTICE**  
 When reaming bone it is essential that a firm grip on the handle is maintained to minimize any risk that the reamer cuts eccentrically.

## ASSEMBLY

### OFFSET REAMER HANDLE: INSTRUCTIONS FOR ASSEMBLY AND DISASSEMBLY TO ALLOW CLEANING AND STERILIZATION

Each element of the instrument forms a unique set and in no instance should the parts of one be mixed with those from another reamer handle.

